

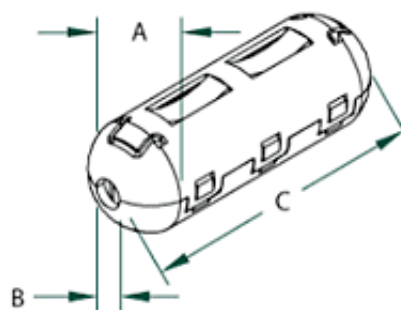
Item # 28A0593-0A2 Broadband Split / Snap-on Ferrite Cores for Round Cables

Broadband Split / Snap-on Ferrite Cores for Round Cables

For retrofit and post-assembly operations, Laird Technologies offers a selection of "split" components. Similar in performance to Laird Technologies' one piece core designs, these split ferrite cores provide excellent common and differential mode EMI suppression on round cable assemblies. Lightweight, inexpensive plastic snap-on cases provide secure closure of the split cores onto the cable.



[larger image](#)



[larger image](#)

Specifications

Figure Number	4
Case A	18.75 mm
Case B	6.75 mm
Case C	53.39 mm
Case D	18.75 mm
Max. Cable Diameter	0.258 in 6.55 mm
Typical Z Ohms at 25 MHz	186
Nominal Z Ohms at 100 MHz	407
Typical Z Ohms at 300 MHz	575
Material Type	Broad Band Material
Product Type Code	Split round cores (Snap-Ons)
Part Size Code	0593
Additional Description	Plastic Case
Case Color	Black

